



GARDEN MART®

This structure was designed with the three E's in mind—Ease, Economy, and Efficiency. The ease of our tool-free snap button design allows for simplified set-up in just hours. Economically, you'll benefit from this structure's convenient ventilation options and built-in display benching, which allows for greater merchandising of flats and hanging baskets. Easy expansion options ensure you can efficiently upgrade your operation at any time.



FEATURES

Polyethylene Film Choices: Choose from white or clear poly film with Wiggle Wire® attachment system.

Hold Down System Selection: We have an option to suit your needs; choose from water tubes, ground stakes or leg stands.

Side Benching Brackets Included: Structure comes complete with side display brackets ready for optional bench tops so you can simply assemble and sell.

Hanging Basket Purlins: Structure comes with four runs of hanging basket purlins and attractively displays baskets conveniently within your customer's reach.

Double Sliding End Door: Space saving double sliding door measures six feet wide and provides ample room for customer and cart access.

Center Benching: Select from our Flat Stacker or Tiered Display.

Ventilation Options: Your selection of Slide-Side or roll-up side ventilation; both allow you to easily control the climate of your structure; Slide-Side Ventilation is constructed of 8mm commercial grade polycarbonate sheeting; Roll-up Sidewall Vents include a self-locking gearbox.

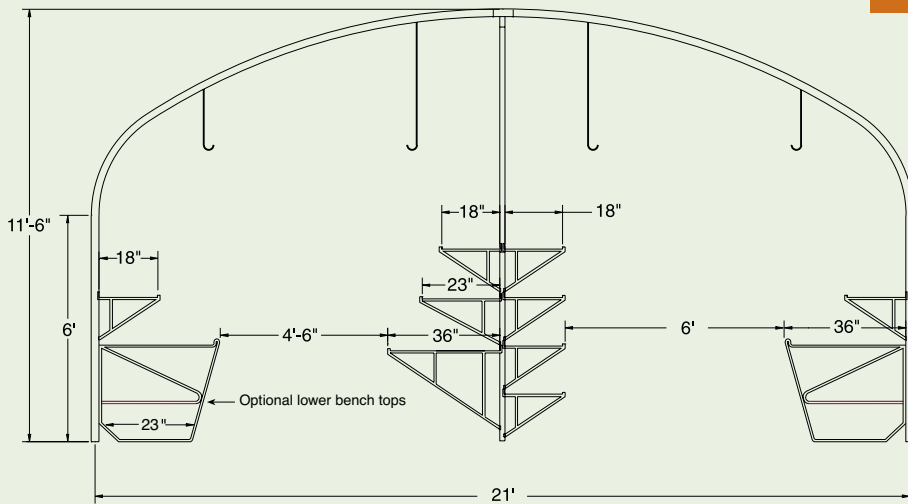


Snap Button Design

Simple and strong. Our snap button connection system, decreases your set-up time and provides added strength.



Roll-up or Slide-Side Ventilation
Optional roll-up sidewall vents with self-locking gearbox will provide even greater control of airflow. Slide-Side Ventilation is constructed of 8mm commercial grade polycarbonate sheeting.



SPECIFICATIONS

- Width:** 21'
- Length:** 24'-96' (in 6' sections)
- Sidewall Height:** 6'
- Height to Apex:** 11'- 4"
- Frame Spacing:** 6'
- Door:** (2) 3' wide x 6'- 8" high
- Cover:** Clear or white 6 mil. UVI treated polyethylene
- End Wall Cover:** Clear 6 mil. UVI treated polyethylene
- Frame:** 2" O.D. 14 ga. galvanized steel tubing
- Ventilation:** Slide-Side or Roll-Up sides



Garden Mart with Slide-Side ventilation. More sizes available.			
Size	Base package w/o bench tops	Standard package price w/standard bench tops	Standard package price w/expanded metal bench tops
21' x 24'	\$8,140	\$10,964	\$12,204
21' x 30'	\$9,465	\$13,259	\$14,949
21' x 36'	\$10,790	\$15,554	\$17,694
21' x 42'	\$12,115	\$17,849	\$20,439
21' x 48'	\$13,440	\$20,144	\$23,184
6' add'l. sections	\$1,325	\$2,295	\$2,745

Garden Mart with Roll-up side ventilation. More sizes available.			
Size	Base package w/o bench tops	Standard package price w/standard bench tops	Standard package price w/expanded metal bench tops
21' x 24'	\$7,250	\$10,074	\$11,314
21' x 30'	\$8,175	\$11,969	\$13,659
21' x 36'	\$9,100	\$13,864	\$16,004
21' x 42'	\$10,025	\$15,759	\$18,349
21' x 48'	\$10,950	\$17,654	\$20,694
6' add'l. sections	\$925	\$1,895	\$2,345

OPTIONS



Expanded Metal Bench Tops:
These bench tops allow you to increase your merchandising options to include smaller products.



Additional Side Door or End Door:
Add a side or end door to your structure for improved traffic flow and customer access between garden center areas.



4' Swinging Side Door Kit
\$475 each
Additional Rolling End Door
\$625 each



Wide Selection of Sign Holders:
A variety of merchandising options (stand-alone, table top, stake, etc.) and sizes available.

US GLOBAL RESOURCES

Please call 888-334-1440 or 830-755-4768 for additional sizes and configurations.