



## KOOL-MART

The Kool-Mart is one of our most economical structures yet it still offers the same quality construction, snap button set-up, and high-volume display benching as our other seasonal retail greenhouses. It also features large roll-up doors on both ends for easy cart access and superior ventilation. Go from zero to garden center in just hours with the simple elegance of the Kool-Mart.

### FEATURES

**Polyethylene Film Choices:** Choose from white or clear poly film with Wiggle Wire® attachment system.

**Hold Down System:** Easily installed spikes ensure secure structure placement.

**Center and Side Benching Brackets Included:** Side and center display brackets and optional bench tops ensure you can start selling quickly.

**Hanging Basket Purlins:** Structure comes with six runs of hanging basket purlins and attractively displays baskets conveniently within your customer's reach.

**Front and Rear Roll-Up End Doors:** Space saving, maintenance free, roll-up doors are ten feet wide and provide ample access for customers and carts.

**Modular Design:** Allows you to easily and economically expand this structure.

**Ventilation:** Optional roll-up sidewall vents with self-locking gear box, provide a natural, simple, and effective way to control climate and airflow of your structure.



#### Snap Button Design

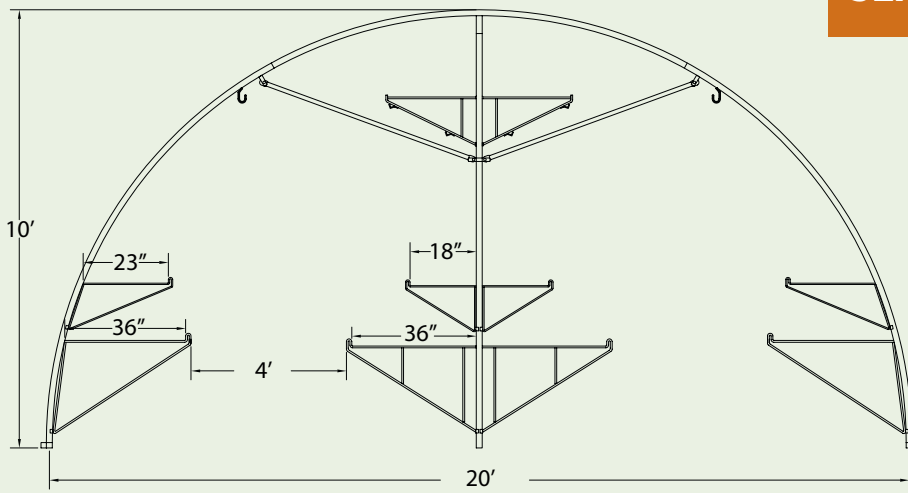
Simple and strong.

Our snap button connection system, decreases your set-up time and provides added strength.



#### Roll-Up Sidewall Vents

Optional roll-up sidewall vents with self-locking gearbox will provide even greater control of airflow.



## SPECIFICATIONS

- Width:** 20'
- Length:** 24'-96' (in 6' sections)
- Height to Apex:** 10'
- Frame Spacing:** 6'
- Door:** (2) 10' wide x 7' high white, 3-ply reinforced polyethylene roll-up doors
- Cover:** Clear or white 6 mil. UVI treated polyethylene
- End Wall Cover:** Clear 6 mil. UVI treated polyethylene
- Frame:** 1.66" O.D. 16 ga. galvanized steel tubing



Kool-Mart without Roll-up Sides. More sizes available			
Size	Base package w/o bench tops	Standard package price w/standard bench tops	Standard package price w/expanded metal bench tops
20' x 24'	\$6,000	\$7,980	\$9,000
20' x 30'	\$7,025	\$9,665	\$11,025
20' x 36'	\$8,050	\$11,350	\$13,050
20' x 42'	\$9,075	\$13,035	\$15,075
20' x 48'	\$10,100	\$14,720	\$17,100
6' add'l sections	\$1,025	\$1,685	\$2,025

Kool-Mart with Roll-Up ventilation. More sizes available			
Size	Base package w/o bench tops	Standard package price w/standard bench tops	Standard package price w/expanded metal bench tops
20' x 24'	\$7,350	\$9,330	\$10,350
20' x 30'	\$8,575	\$11,215	\$12,575
20' x 36'	\$9,800	\$13,100	\$14,800
20' x 42'	\$11,025	\$14,985	\$17,025
20' x 48'	\$12,250	\$16,870	\$19,250
6' add'l sections	\$1,255	\$1,885	\$2,225

## OPTIONS



**Expanded Metal Bench Tops:**  
These bench tops allow you to increase your merchandising options to include smaller products.



**Sliding End Doors:**  
Upgrade from roll-up front and end doors to these easily installed sliding doors.

**\$475 each**



**Roll-up Doors:**  
Available in your choice of clear or white reinforced poly.

**\$625 each**



**Wide Selection of Sign Holders:**  
A variety of merchandising options (stand-alone, table top, stake, etc.) and sizes available.

## US GLOBAL RESOURCES

Please call 888-334-1440 or 830-755-4768 for additional sizes and configurations.